

IEC Body Phantom (Elliptical)

1. Product Introduction and Structure

A.1 Technical Parameters

A.1.1 Complies with the requirements of NEMA NU2-2007.

A.1.2 The inner diameters of the six hemispheres are: 10 mm, 13 mm, 17 mm, 22 mm, 28 mm and 37 mm.

A.1.3 The distance from the sphere plane to the inner wall is approximately ≤ 70 mm.

A.1.1 Complies with the requirements of NEMA NU2-2007.

A.1.2 The inner diameters of the six hemispheres are: 10 mm, 13 mm, 17 mm, 22 mm, 28 mm and 37 mm.

A.1.3 The distance from the sphere plane to the inner wall is approximately ≤ 70 mm.

A.1.4 The cylinder volume is approximately ≥ 9.7 L.

A.1.5 The outer diameter of the cylinder is: ≥ 51 mm.

A.1.6 The outer length of the cylinder is: ≥ 180 mm.

Unit: Millimeter

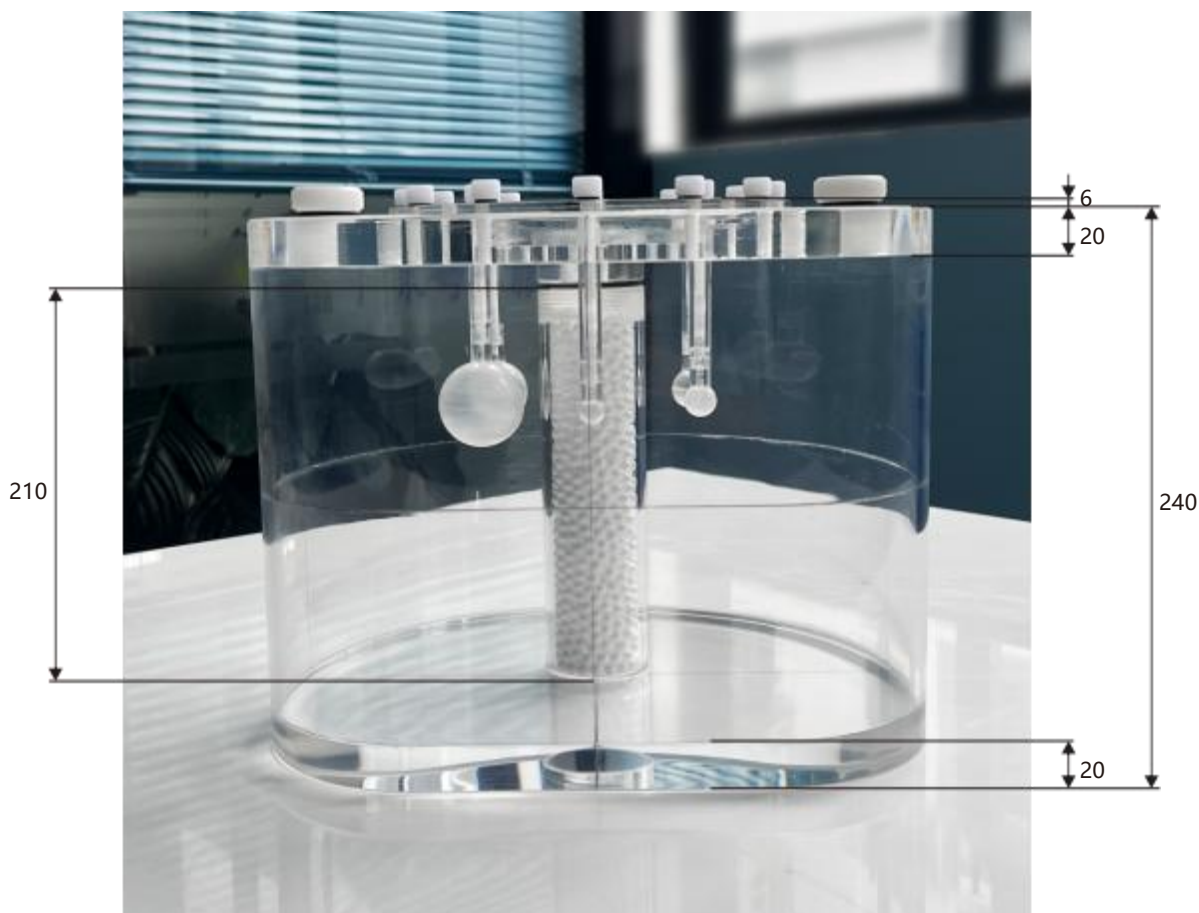


Figure A. 1 IEC body model (elliptical) dimension diagram

Unit: Millimeter

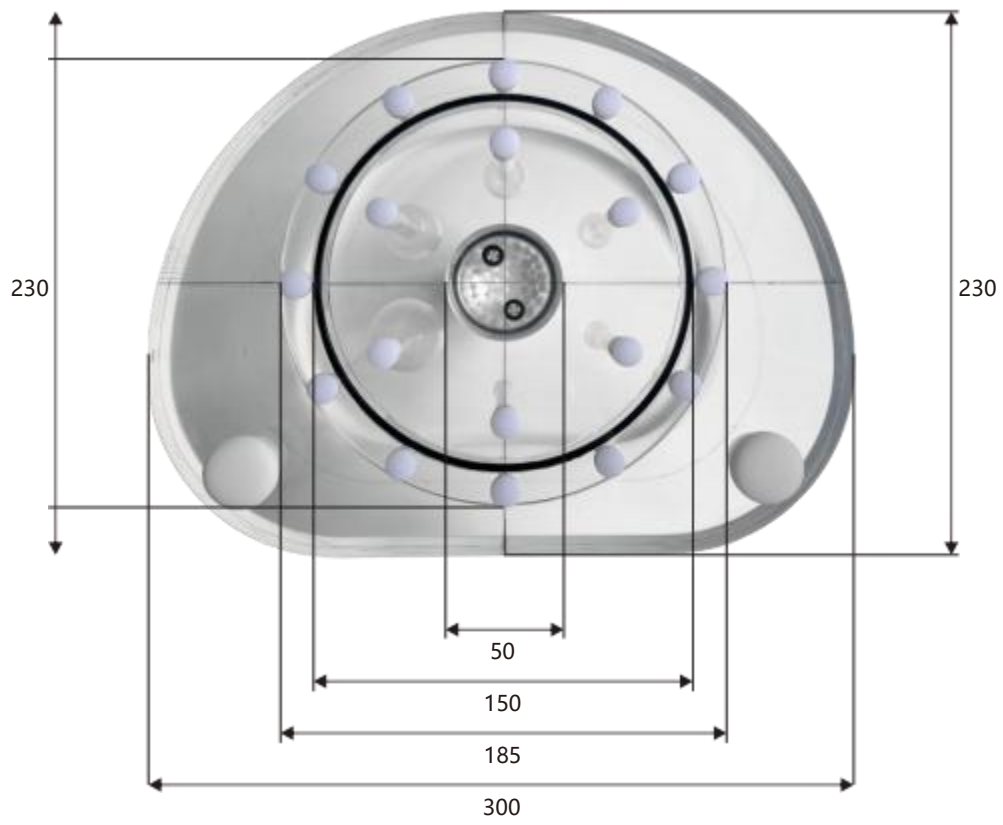


Figure A. 2 IEC body model (elliptical) schematic diagram